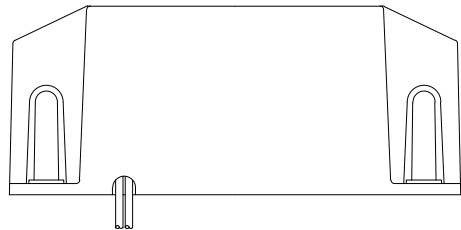
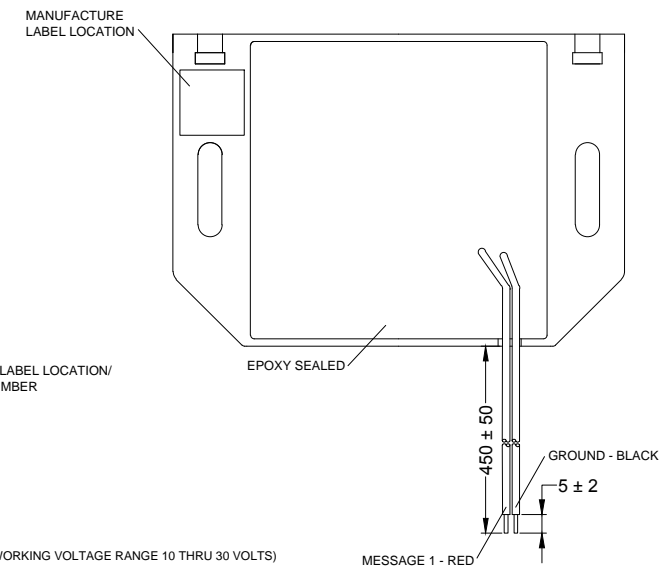
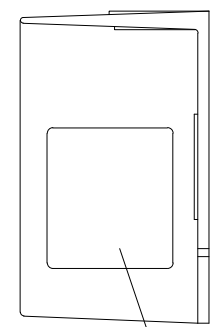
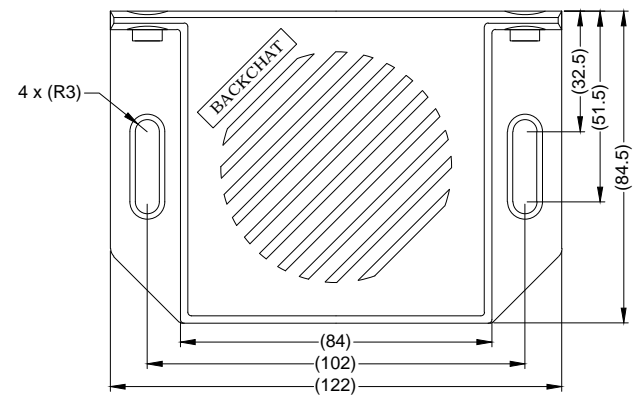
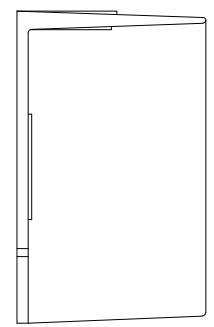
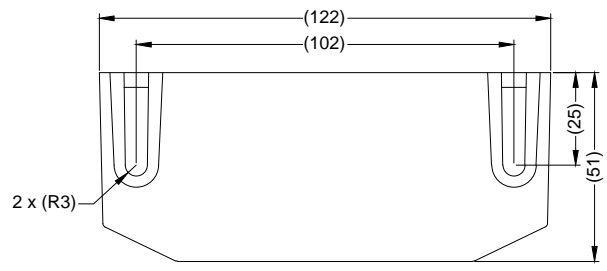


Revision Notes.				
R1 -				
APA: -	Drawn:-	Checked:-	Approved:-	Date: -



**SPECIFICATION**

RATED VOLTAGE: 12 AND 24 VOLTS DIRECT CURRENT (WORKING VOLTAGE RANGE 10 THRU 30 VOLTS)  
 RATED CURRENT: 0.5 AMPERES OR LESS  
 SOUND PRESSURE: 85±4 DECIBELS AT TEST VOLTAGE OF 14 AND 28 VOLTS  
 CABLE THICKNESS: ALL CABLES 24/0.2MM  
 ACTUAL MESSAGE(S): "VEHICULE TOURNANT A DROITE"  
 MESSAGE LIBRARY NUMBER(S): M1682  
 VOICE/ACCENT: FEMALE  
 LANGUAGE: FRENCH

**NOTES:**

- DIMENSIONS IN MM.
- MATERIAL: ABS PLASTIC - ULTRA VIOLET STABILIZED
- FINISH: BLACK
- FOR PRODUCT LABEL REFER TO LATEST REVISION OF DRAWING BE-002749-XX-13.
- FOR GIFT BOX LABEL REFER TO LATEST REVISION OF DRAWING BE-002719-XX-13.
- 2 X M6 X25 BOLTS, 2 X M6 FLAT WASHER & 2 X M6 NUTS ARE SUPPLIED IN A PRESS SEAL BAG IN THE BOX.
- POWER & MESSAGE CABLE LENGTHS ARE MEASURED FROM CABLE ENTRY POINT ON HOUSING.

**PROPRIETARY NOTICE**

THIS DESIGN AND TECHNICAL INFORMATION APPEARING ON THIS DRAWING IS THE PROPERTY OF BRIGADE ELECTRONICS, AND IS DISCLOSED IN CONFIDENCE. IT IS NOT TO BE COPIED, REPRODUCED, REVEALED TO OR EXPROPRIATED BY OTHERS, EITHER IN WHOLE OR IN PART WITHOUT THE EXPRESS WRITTEN CONSENT OF BRIGADE ELECTRONICS.



Assembly PI Approval A.HEEDLE 16/12/13		Approved by S.MATTHEWS		Checked by R.BATES		Drawn by P.MISSEN	
Angle of Projection 		Units mm	Scale N/A	Released 20/12/13	Assembly Ref -		
Third Angle		Status RELEASED		SS-BC-08(FR)			
		Part No 4588		BE-002718-00-13			